

DPC Series minitype no display pressure switch



DPC

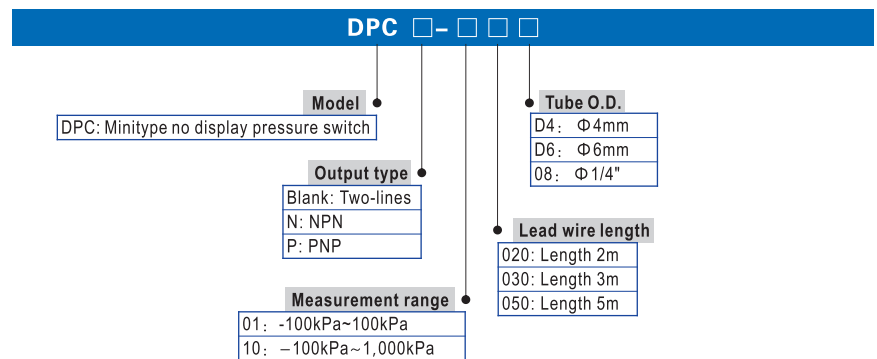
Symbol



Specification

Item/Model	DPC	DPCN	DPCP
Voltage	DC12~24V±10%		
Pressure range	DPC□10: -100~1000kPa; DPC□01: -100~100kPa		
Applied fluid	Air, Non-corrosive gas, Incombustibility gas		
Output mode	Two-lines, NPN, PNP, Max.30V-100mA		
Repetitive accuracy	±0.7%F.S		
Temperature accuracy	±2.5%F.S		
Operating Temp. range	0~60°C		
Method of adjusting pressure	Learning button		
Tube O.D.	Φ4mm, Φ6mm, Φ1/4"		
Special function	Two sets model, NO/NC switch		
Protection	IP40		

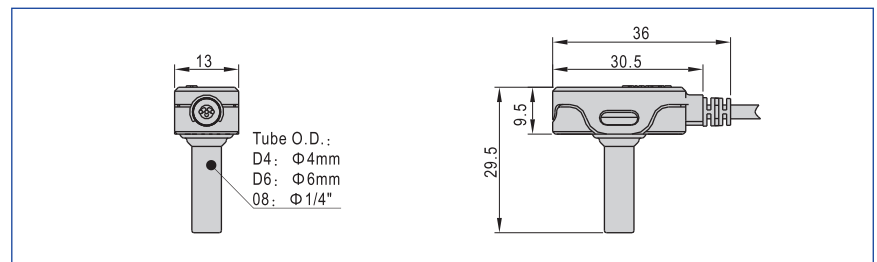
Ordering code



Product feature

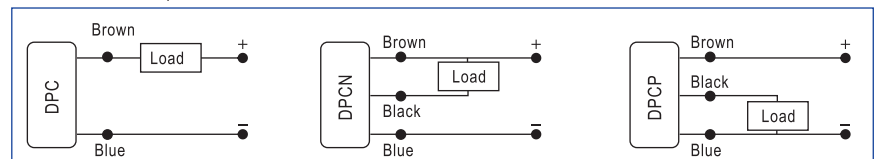
1. Larger measurement range.
2. Single button to finish learning setting.
3. Normally close and normally open can be exchanged.
4. Easy to install.

Dimensions



Installation and application

1. Connection Example:



2. Function operation:

- 2.1. Quick setting: Press the SET button for less than two seconds to finish quick setting.
- 2.2. Middle valve setting: Press the SET button for two to five seconds to finish setting valve A; Press the SET button again to finish setting valve B.
* Middle valve = (A+B)/2 *
- 2.3. N.O./N.C. switch: Press the SET button for six to ten seconds to finish N.O./N.C. switching.
- 2.4. Lock/Unlock switch: Press the SET button for eleven to twenty seconds to finish Lock/Unlock switching.
- 2.5. Factory-fresh state: Press the SET button for over twenty seconds to return factory-fresh state.

